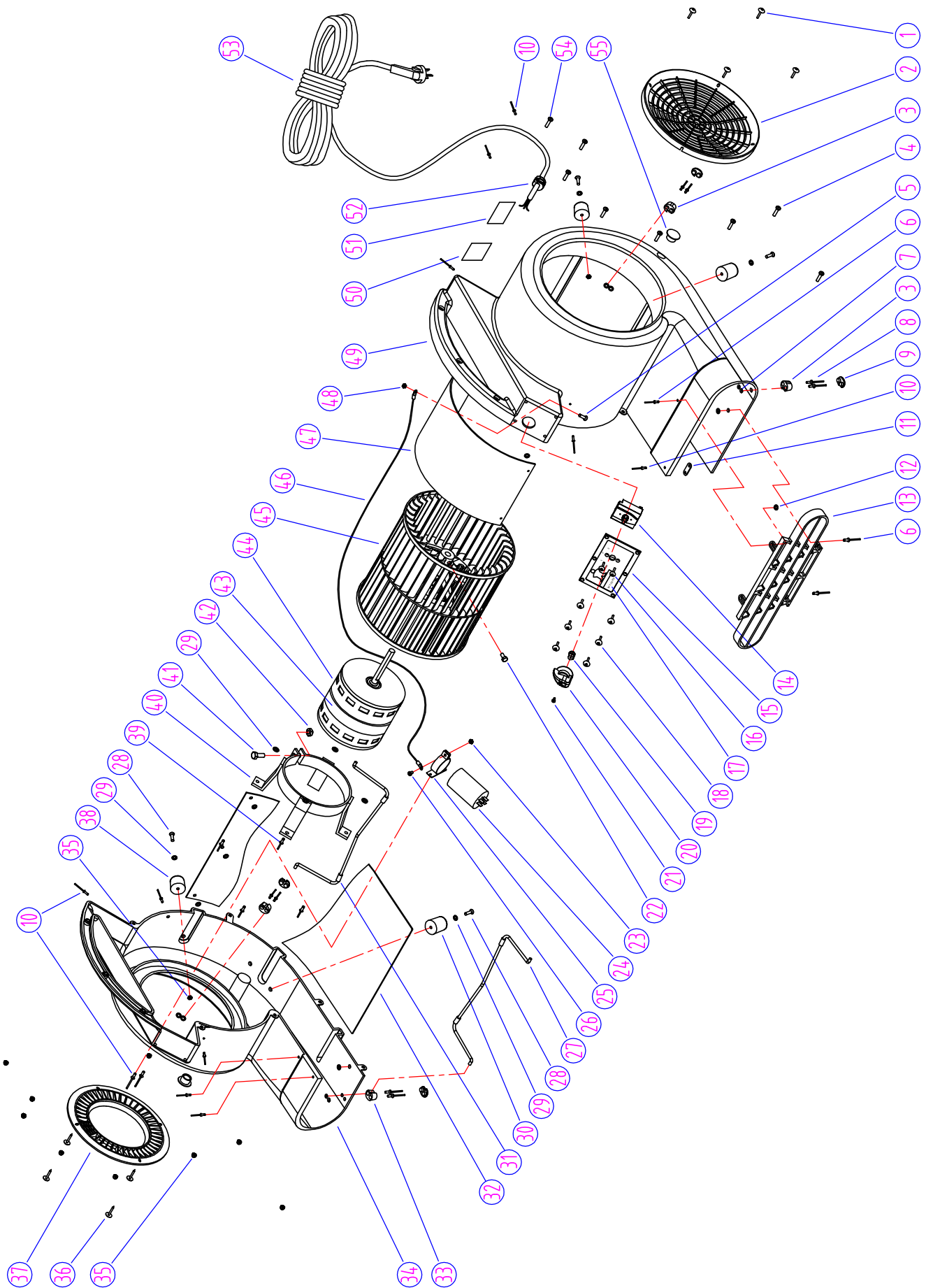


PARTS LIST



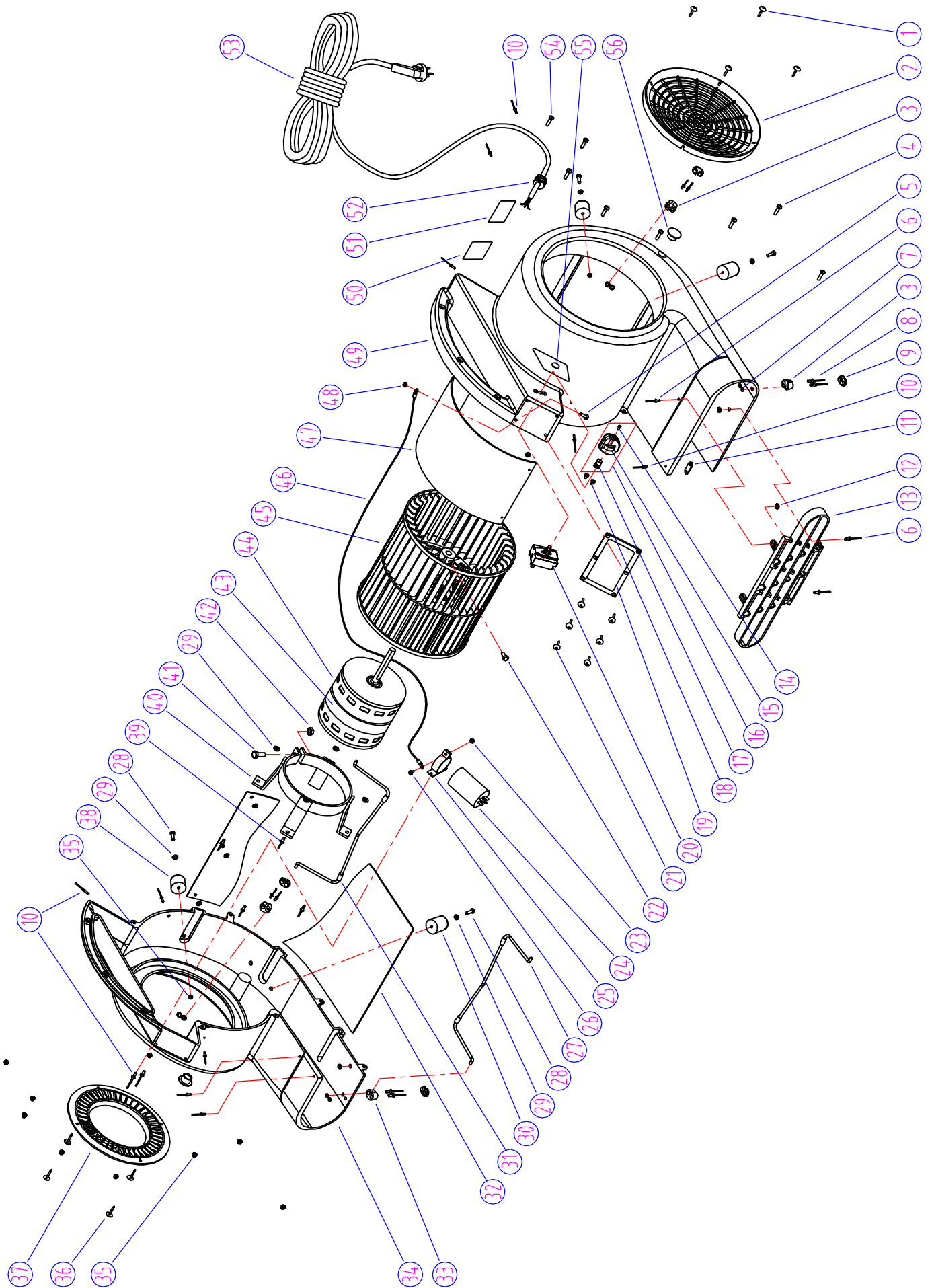
WHIPTAIL AIR MOVER - BASE ASSEMBLY - UP TO SERIAL # 108,104

DIA NO	PART NUMBER	DESCRIPTION	LIST
1	VV13649	SCREW, SELF-TAPPING, ST, M4 x 25	\$0.63
2	VV30107	LEFT NET, VENT, INTAKE	\$6.88
3	VV30102	BLOCK, STAND, RIGHT FRONT	\$0.63
4	VF13613	SCREW, M5 x 20	\$0.63
5	VV20504	SCREW, PH, 8G, 5/32" x 1/2", SST	\$0.63
6	VV13647	RIVET, M4.8 x 16	\$0.63
7	VV13653	WASHER, PLAIN, M3.5 x M10 x 1	\$0.63
8	VV13645	RIVET, M3.2 x 16	\$0.63
9	VV30124	RUBBER, BLOCK, STAND	\$0.63
10	VA13485	RIVET, M3.2 x 12	\$0.63
11	VV30119	CONNECTING PLATE	\$0.63
12	VA13482	WASHER, PLAIN, M5 x M11 x 1	\$0.63
13	VV30112	NET, VENT, OUTLET	\$5.63
14	VV30180	SWITCH ASSEMBLY	\$16.25
15	VV30500A	PLATE, ROTARY SWITCH, W/ LABEL	\$5.63
16	VV13658	SCREW, M5 x 20	\$0.63
17	VV30500A	PLATE, ROTARY SWITCH, W/ LABEL	\$5.63
18	VV13608	SCREW, SELF-TAPPING, ST 3.4 x 12	\$0.63
19	VV30105	HOLDER, SWITCH	\$0.63
20	VV30104	ROTATOR, SWITCH	\$4.38
21	VV13651	SCREW, M3 x 8	\$0.63
22	VV13656	SCREW, M8 x 16	\$0.63
23	VV13609	NUT, M4	\$0.63
24	VV30142	CAPACITOR (40UF/300V)	\$23.75
25	VV30014	CLAMP, CAPACITOR	\$3.13
26	VV13642	SCREW, M4 x 8	\$0.63
27	VV30115	STAND	\$3.38
28	VA13475	SCREW, PH, M5 x 25, SST	\$0.63
29	VV13030	WASHER, PLAIN, M6.5 x M12 x 1	\$0.63
30	VV30114—1	RUBBER STAND, 38mm	\$1.88
31	VV30117	RUBBER SLEEVE	\$0.63
32	VV30118	PLATE, CHAMBER	\$9.38
33	VV30200	BLOCK, STAND, LEFT FRONT	\$0.63
34	VV30100	HOUSING, LEFT	\$55.00
35	GT13022	NUT, M5	\$0.63
36	VV13640	SCREW, SELF-TAPPING, M4 x 16	\$0.63
37	VV30110	RIGHT NET, VENT, INTAKE	\$8.13
38	VV30114	RUBBER, STAND, 48mm	\$2.38
39	VV13648	RIVET, M6.4 x 18	\$0.63
40	VV30011	CLAMP, MOTOR	\$14.38
41	VV13657	SCREW, M8 x 25	\$0.63
42	VF13503	NUT, M8	\$0.63
43	VV30116	GASKET, MOTOR	\$1.88
44	VV30162	MOTOR, 115V, 3/4HP	\$157.50
45	VV30010	WHEEL, 9"	\$110.00
46	VA21570	JUMP WIRE	\$2.38
47	VV30118A	PLATE, CHAMBER	\$8.13
48	VV20233	NUT, 8G, 5/32"	\$0.63
49	VV30101	HOUSING, RIGHT	\$85.00

WHIPTAIL AIR MOVER - BASE ASSEMBLY - UP TO SERIAL # 108,104

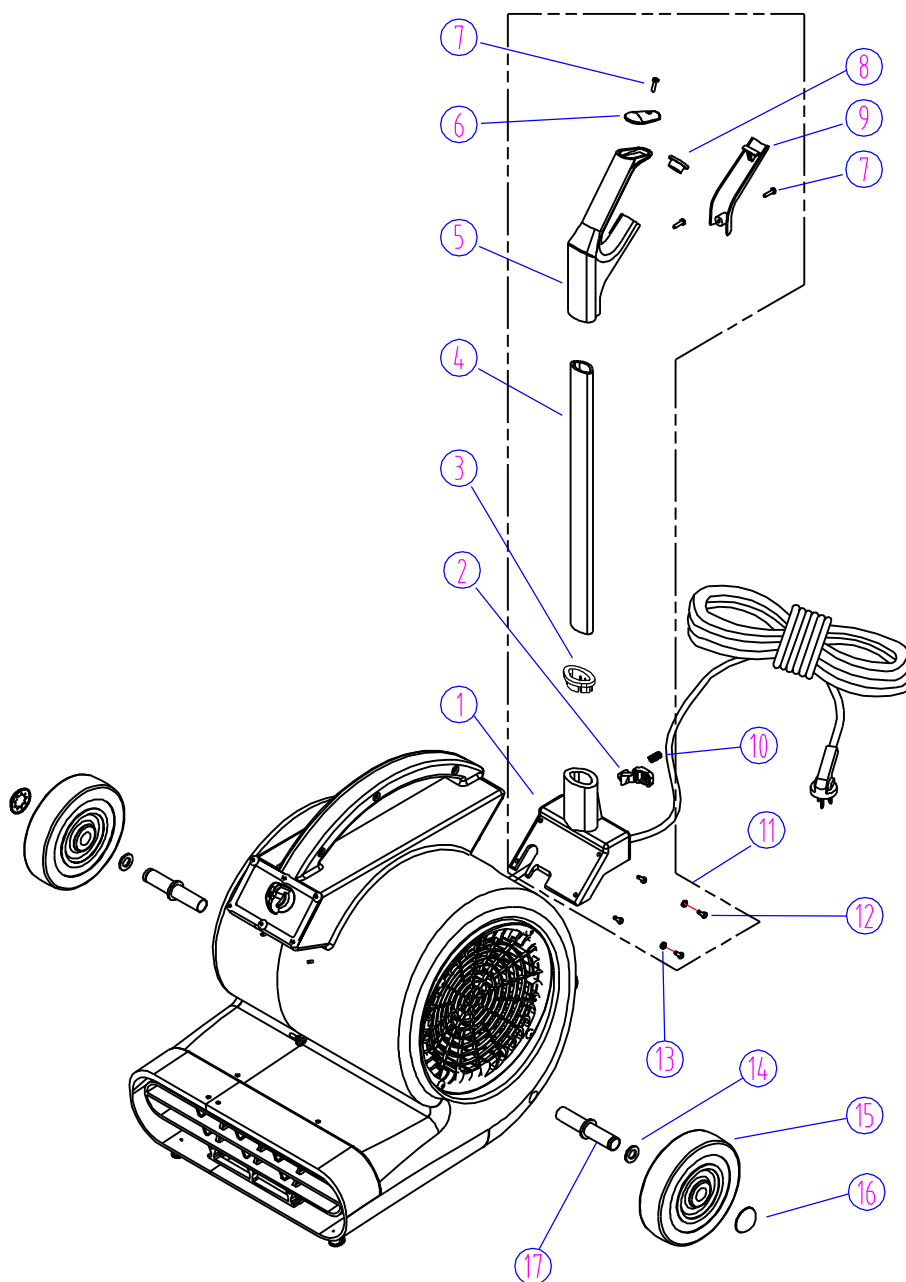
DIA	NO	PART NUMBER	DESCRIPTION	LIST
50		VF40994	LABEL, READ MANUAL	\$0.63
51		VV30505B	SERIAL TAG	\$0.63
52		VV30182	POWER BUSHING	\$0.63
53		VV30183	POWER CABLE	\$22.50
54		VV13636	SCREW, M5 x 30	\$0.63
55		VV30122	COVER, AXLE	\$0.63

PARTS LIST



WHIPTAIL AIR MOVER - BASE ASSEMBLY - SERIAL # 108,105 +

DIA NO	PART NUMBER	DESCRIPTION	NO REQ'D	LIST \$ (ea)
1	VV13649	SCREW, SELF-TAPPING, M4 x 25	4	\$0.63
2	VV30107	LEFT NET, VENT, INTAKE	1	\$6.88
3	VV30102	BLOCK, STAND, RIGHT FRONT	2	\$0.63
4	VF13613	SCREW, M5 x 20	8	\$0.63
5	VF13473	SCREW, PH, M4 x 16	1	\$0.63
6	VV13647	RIVET, M4.8 x 16	4	\$0.63
7	VV13653	WASHER, PLAIN, M3.5 x M10 x 1	15	\$0.63
8	VV13645	RIVET, M3.2 x 16	8	\$0.63
9	VV30124	RUBBER, BLOCK, STAND	4	\$0.63
10	VA13485	RIVET, M3.2 x 12	11	\$0.63
11	VV30119	CONNECTING PLATE	1	\$0.63
12	VA13482	WASHER, PLAIN, M5 x M11 x 1	4	\$0.63
13	VV30112	NET, VENT, OUTLET	1	\$5.63
14	VF14078	SCREW, M3 X 10	1	\$0.63
15	VV30104	ROTATOR, SWITCH	1	\$4.38
16	VV30015	ROTATOR REPLACEMENT KIT (INCLUDES #14,15 &17)	1	\$5.00
17	VV30105	HOLDER, SWITCH	1	\$0.63
18	VV13658	SCREW, M5 x 20	2	\$0.63
19	VV30500B	SWITCH PLATE WITH LABEL	1	\$5.63
20	VV30180	SWITCH	1	\$16.25
21	VV13608A	SCREW, SELF-TAPPING, M4 x 12	6	\$0.63
22	VV13656	SCREW, M8 x 16	1	\$0.63
23	VV13609	NUT, M4	1	\$0.63
24	VV30143	CAPACITOR (40UF/300V)	1	\$23.75
25	VV30014	CLAMP, CAPACITOR	1	\$3.13
26	VV13642	SCREW, M4 x 8	1	\$0.63
27	VV30115	STAND	2	\$3.38
28	VA13475	SCREW, PH, M5 x 25, SST	4	\$0.63
29	VV13030	WASHER, PLAIN, M6.5 x M12 x 1	8	\$0.63
30	VV30114—1	RUBBER STAND, 38mm	2	\$1.88
31	VV30117	RUBBER SLEEVE	4	\$0.63
32	VV30118	PLATE, CHAMBER	1	\$9.38
33	VV30200	BLOCK, STAND, LEFT FRONT	2	\$0.63
34	VV30100	HOUSING, LEFT	1	\$55.00
35	GT13022	NUT, M5	13	\$0.63
36	VV13640	SCREW, SELF-TAPPING, M4 x 16	4	\$0.63
37	VV30110	RIGHT NET, VENT, INTAKE	1	\$8.13
38	VV30114	RUBBER STAND, 48mm	2	\$2.38
39	VV13648	RIVET, M6.4 x 18	4	\$0.63
40	VV30011	CLAMP, MOTOR	1	\$14.38
41	VV13657	SCREW, M8 x 25	1	\$0.63
42	VF13503	NUT, M8	1	\$0.63
43	VV30116	GASKET, MOTOR	1	\$1.88
44	YQ61000	MOTOR, 115V, 3/4HP	1	\$157.50
45	VV30010	WHEEL, 9"	1	\$110.00
46	VA21570	JUMP WIRE	1	\$2.38
47	VV30118A	PLATE, CHAMBER	1	\$8.13
48	VV20249	NUT, M4, SST	1	\$0.63
49	VV30101A	HOUSING, RIGHT	1	\$85.00
50	VF40994	LABEL, READ MANUAL	1	\$0.63
51	VV30505B	SERIAL TAG	1	\$0.63
52	VV30182	BUSHING, POWER CABLE	1	\$0.63
53	VV30183	POWER CABLE	1	\$22.50
54	VV13636	SCREW, M5 x 30	3	\$0.63
55	VV30529	LABEL, SWITCH	1	\$2.25
56	VV30122	COVER, AXLE	2	\$0.63



**THE AXLES HAVE A VERY TIGHT TOLERANCE FIT.
LUBRICATE THEM WITH SOME SOAPY WATER BEFORE
DRIVING THEM INTO THE MOLDED RECEIVER.**

WHIPTAIL AIR MOVER - HANDLE & WHEEL KIT

DIA NO	PART NUMBER	DESCRIPTION	LIST
1	VV30120	SEAT, HANDLE	\$9.38
2	VV30130	RELEASE BUTTON, HANDLE	\$0.63
3	VV30121	COVER, HANDLE SEAT	\$1.38
4	VV30106	TUBE, ALUMINUM	\$10.63
5	VV30132	PLASTIC HANDLE	\$5.63
6	VV30134	COVER, HANDLE	\$0.63
7	VV13640	SCREW, SELF-TAPPING, M4 x 16	\$0.63
8	VV30123	RUBBER COVER, HANDLE	\$0.63
9	VV30133	BOTTOM, HANDLE	\$1.25
10	VV30131	SPRING, RELEASE BUTTON	\$0.63
11	VV30109	HANDLE ASSY	\$30.00
12	GT13012	SELF-TAPPING SCREW, ST5 x 16 (screws into plastic only)	\$0.63
	VV13661	SCREW, M4 x 12 (screws into brass inserts)	\$0.63
13	VV13664	WASHER, PLAIN 4 x 12 x 1	\$0.88
14	VF47027	WASHER, LOCK	\$0.63
15	VF47055	WHEEL, 6.4"	\$18.75
16	VA96851	CAP, AXLE	\$1.13
17	VV30111	AXLE	\$3.13