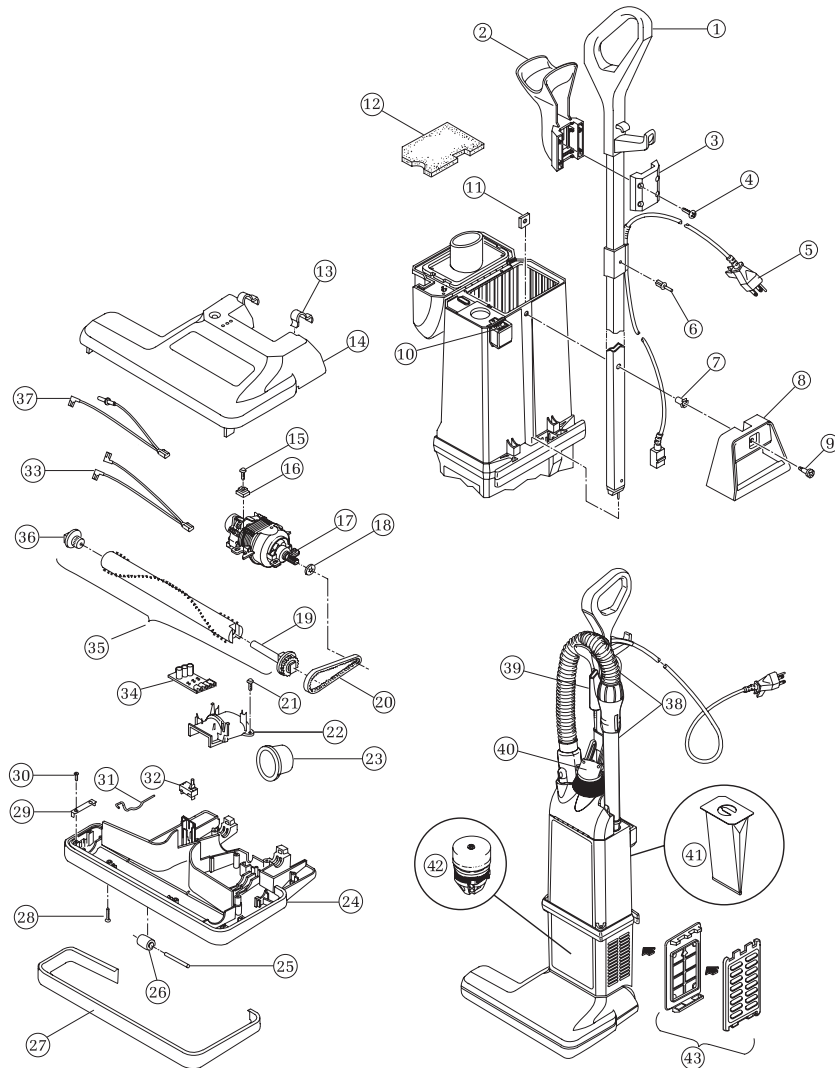


PROFORCE 1400XP ASSEMBLY



ORDER #	PROFORCE 1400XP	QUANTITY
1	47887 Handle Assembly	1
2	48217 Hose/Tool Holder - Front	1
3	48218 Hose/Tool Holder - Rear	1
4	43785 Screw for Hose/Tool Holder (4 needed)	1
5	47889 Cord, 50' Long w/Cord Retainer and 3-wire plug, Red	1
6	45383 Rivet	1
7	46998 Handle Bushing	1
8	47292 Carry Handle, Fog Grey	1
9	43786 Screw for Handle Mounting	1
10	47162 Switch - On/Off	1
11	43218 Nut Plate	1
12	43762 Motor Filter	1
13	43238 Detent Spring (2 needed)	1
14	48529 Base Cover, Red (1400XP)	1
15	13287 Screw for Motor (2 needed)	1
16	45191 Isolator Grommet (2 needed)	1
17	48539 Power Head Motor Unit Assembly	1
18	42820 Belt Retainer	1
19	45121 Pulley Assembly	1
20	48359 Motor Belt (.375" wide)	1
21	13287 Screw for Nozzle Cover (2 needed)	1
22	48448 Nozzle Cover	1
23	45143 Hose Sleeve	1
24	48507 Base (1400XP)	1
25	45125 Front Roller Shaft (2 needed)	1
26	43941 Front Roller (2 needed)	1
27	48508 Bumper (1400XP)	1
28	47118 Screw for Base (9 needed for 1400XP)	1
29	46935 Retainer for Brush Bearing (2 needed)	1
30	13268 Screw for Brush Bearing (4 needed)	1
31	46930 Wire Form (2 needed)	1
32	45853 Circuit Breaker	1
33	48495 Lead Assembly (SPI Board to Circuit Breaker)	1
34	46931 Performance Indicator - SPI Board	1
35	48509 14" Brush Assembly w/Brush Bearing and Pulley (1400XP)	1
36	45124 Brush Bearing	1
37	48510 Lead Assembly w/Mate-N-Lok	1
38	48210 Slinky Hose Assembly Complete: 48211 Slinky Hose w/Cuffs and 48215 Extension Wand Assembly	1
39	47982 Narrow Space Cleaner	1
40	48139 Combination Upholstery/Dusting Brush	1
41	103483 207 Sq. in. Disposable Intercept Micro Filter	1
42	47829 Vacuum Motor Unit Assembly	1
	47857 Replacement Carbon Brush (2 needed) (not shown)	1
43	48367 After Filter Kit	1
	48368 Replacement After Filters	2