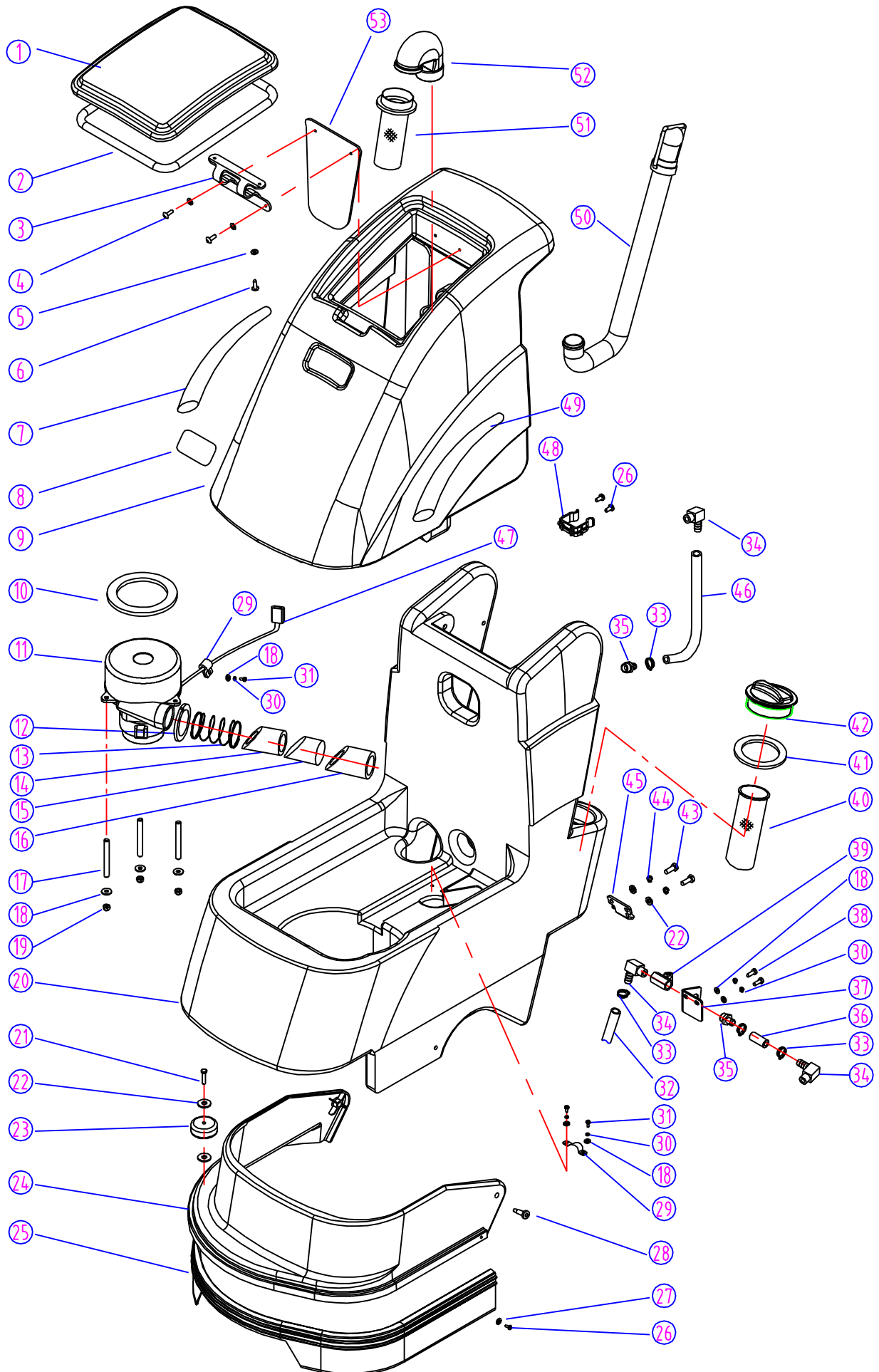


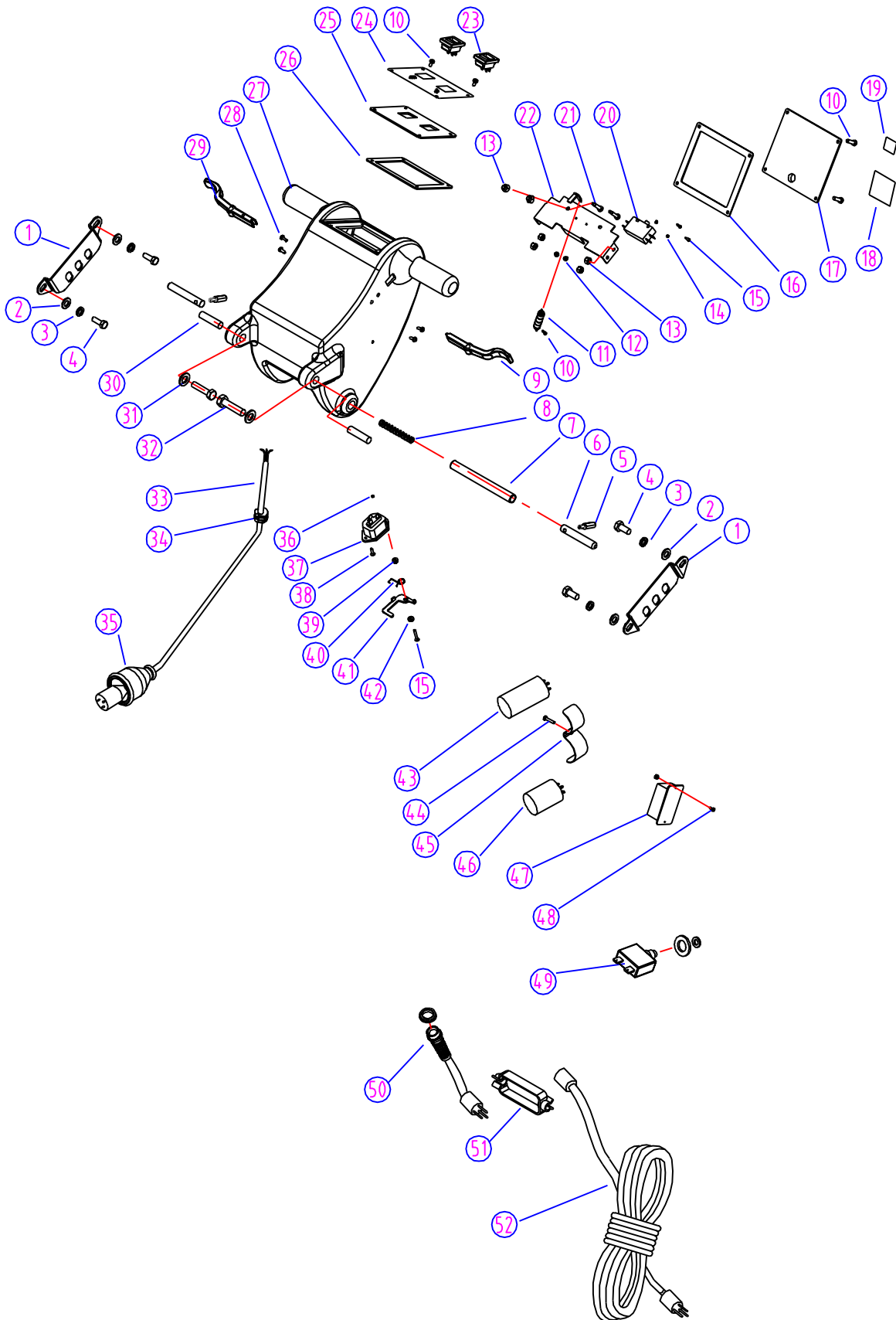
PARTS LIST



RECOVERY & SOLUTION TANKS - FANG 18C

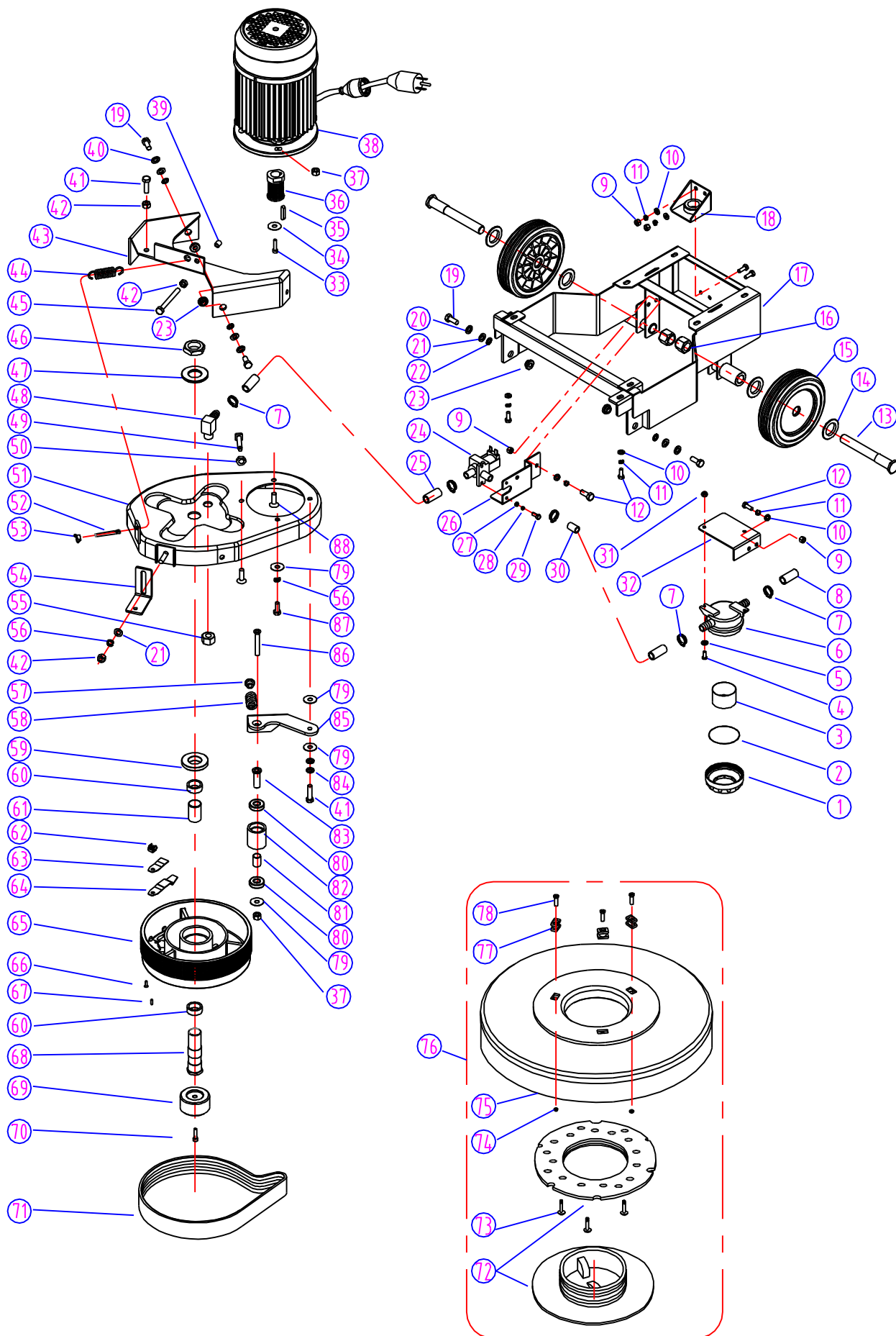
DIA NO.	PART NUMBER	DESCRIPTION	NO. REQ'D	LIST \$ (ea)
1	VF82010	CLEAR COVER, RECOVERY TANK	1	\$14.63
2	VF82010B	GASKET, CLEAR DOME	1	\$7.13
3	VF82010A	RUBBER HINGE	1	\$9.63
4	VF13491	SCREW, PH, M4 X 12	2	\$0.63
5	VA13483	WASHER, PLAIN, M4	4	\$0.63
6	VA13477	SCREW, SST, M4.2 X 16	2	\$0.88
7	VF80343A	MODEL DECAL, RIGHT	1	\$12.13
8	VF80326A	VIPER LOGO	1	\$10.25
9	VF80302	RECOVERY TANK	1	\$241.75
10	VF81503	GASKET, MOTOR	1	\$4.63
11	VV67153	VACUUM MOTOR, 110V	1	\$197.50
12	VV10116	TIE	3	\$1.13
13	VF80346	SPRING	1	\$4.88
14	VF80356	FILTER, EXHAUST	1	\$3.38
15	VF80358	PLASTIC COVER	1	\$2.75
16	VF80357	COVER, HEAT RESISTANT	1	\$4.63
17	VF82310	BOLT	3	\$4.63
18	VF13533	WASHER, PLAIN, M6	7	\$0.88
19	VF13502	NUT, NYLON INSERT, M6	3	\$0.63
20	VF80301	SOLUTION TANK	1	\$337.00
21	VF14236	BOLT, M8 X 40	1	\$1.63
22	VF13514A	WASHER, PLAIN, M8	4	\$0.88
23	VF82013	WHEEL, 3"	1	\$11.38
24	VF80308	SKIRT	1	\$16.50
25	VF80319A	BUMPER	1	\$17.25
26	VV20501	SCREW, PH, M5 X 14	4	\$0.63
27	VV13654	WASHER, PLAIN, M5 X M9.5 X 0.8	2	\$0.88
28	VF80355	SHOULDER SCREW, M10 X 16 X M8	2	\$4.50
29	VV50712	CLAMP	1	\$1.88
30	VV13607	WASHER, LOCK, M6	4	\$0.88
31	VF14200	SCREW, PH, M6 X 16	4	\$1.13
32	VF80349	HOSE, OUTLET, BALL VALVE	1	\$6.50
33	VF82090	CLAMP, HOSE	4	\$2.38
34	VF81403	HOSE BARB, BRASS	2	\$12.38
35	VF80313	HOSE BARB	3	\$8.25
36	VF80348	HOSE	1	\$1.50
37	VF80321	MOUNTING PLATE, BALL VALVE	1	\$8.25
38	VF13495	BOLT, M6 X 16	2	\$0.63
39	VF80361	BALL VALVE	1	\$12.00
40	VF46454	FILTER	1	\$17.00
41	VF80306	SEAL	1	\$4.13
42	VF80304	FILL	1	\$9.75
43	VV13604	BOLT, M8 X 20	2	\$1.38
44	VF13519	WASHER, LOCK, M8	2	\$0.63
45	VF80359	CLAMP, SQUEEGEE	1	\$7.38
46	VF80347	SOLUTION HOSE	1	\$4.38
47	VF45117C	CORD	1	\$9.75
48	GV70034	CLAMP DRAIN HOSE	1	\$2.38
49	VF80342A	MODEL LABEL, LEFT	1	\$12.13
50	VA93208A	DRAIN HOSE	1	\$15.63
51	VF81504	FLOAT, SHUTOFF	1	\$15.88
52	VV67305	BEND	1	\$12.75
53	VF80345	SCREEN	1	\$6.63

PARTS LIST



CONTROL HOUSING - FANG 18C

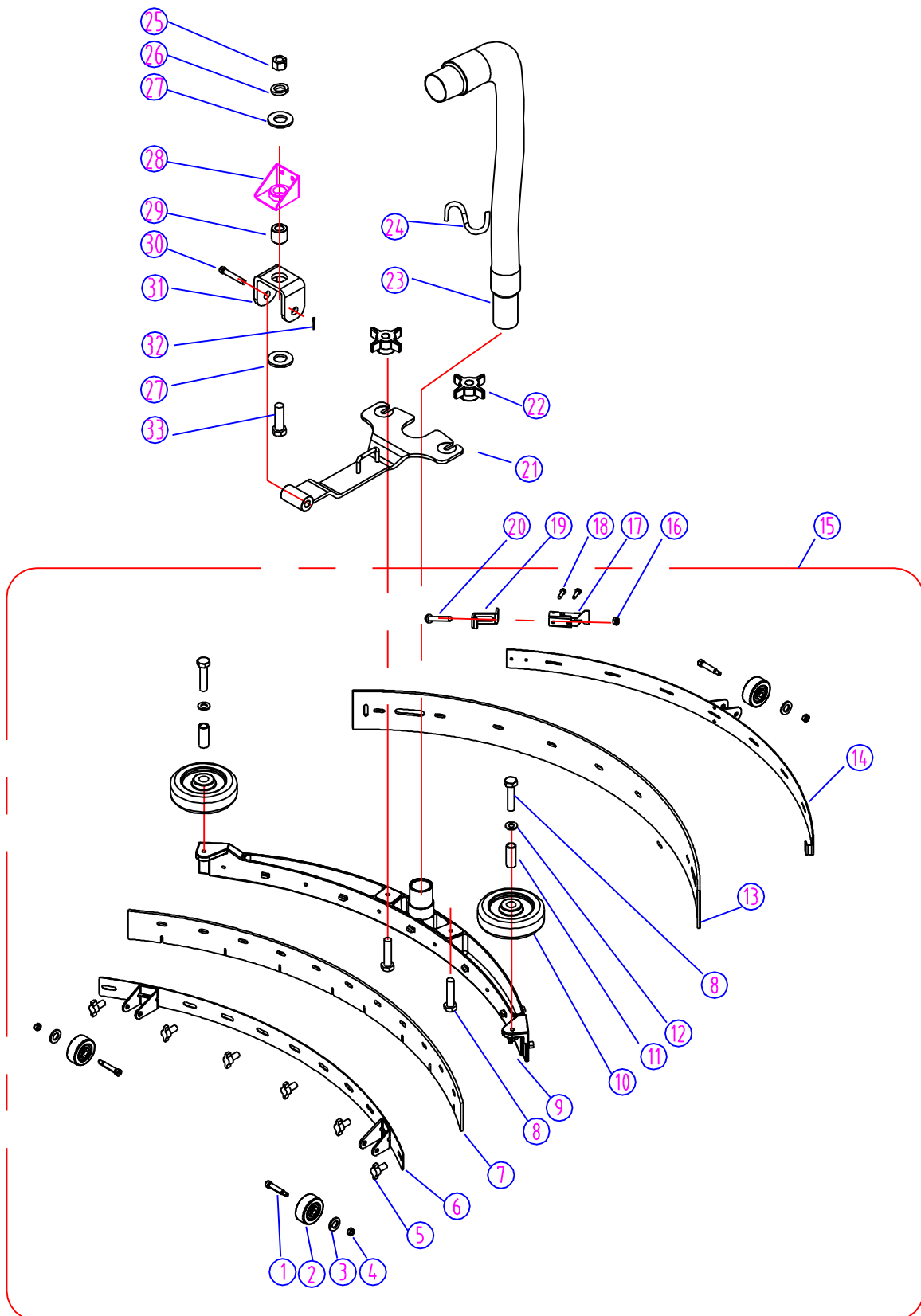
DIA NO.	PART NUMBER	DESCRIPTION	NO. REQ'D	LIST \$ (ea)
1	VF81408	ADJUSTING PLATE	2	\$15.75
2	VF13535	WASHER, PLAIN, M8	3	\$1.38
3	VF13519	WASHER, LOCK, M8	4	\$0.63
4	VV13604	BOLT, M8 X 20	4	\$1.38
5	VF81710	ADJUSTING SCREW	2	\$2.88
6	VF80322	PIN, HANDLE LOCK	2	\$4.63
7	VF80323	TUBE, HANDLE ADJUSTMENT	1	\$7.88
8	VF81716	SPRING	1	\$3.13
9	VF80317	LEVER, SWITCH, LEFT	1	\$9.75
10	VV13650	SCREW, PH, M4 X 10	9	\$0.63
11	VF81712	SPRING	1	\$0.88
12	VV13652	NUT, NYLON INSERT, M3	2	\$0.88
13	VF13502	NUT, NYLON INSERT, M6	6	\$0.63
14	VF13511	WASHER, PLAIN, M3	2	\$0.63
15	VF14212	SCREW, PH, M3 X 25	2	\$0.63
16	VF80335	GASKET, REAR COVER	1	\$4.75
17	VF80310	REAR COVER	1	\$10.25
18	VF80331	WARNING LABEL	1	\$4.75
19	VF80329	DECAL, SERIAL	1	\$2.63
20	VF99023	SWITCH ASSEMBLY	1	\$9.88
21	VF81711	SHOULDER SCREW, M8 X 20 X M6	2	\$6.38
22	VF80307	MOUNTING FRAME, SWITCH	1	\$8.63
23	VA91346	SWITCH	1	\$8.75
24	VF80324	DECAL, SWITCH	1	\$7.88
25	VF80305	SWITCH PANEL	1	\$10.25
26	VF80333	GASKET, PANEL	1	\$3.13
27	VF80303	CONTROL HOUSING	1	\$77.63
28	VF14200	SCREW, PH, M6 X 16	4	\$0.88
29	VF80318	LEVER, SWITCH, RIGHT	1	\$9.75
30	VF81713	BUSHING	1	\$1.63
31	VF13537	WASHER, PLAIN, M10	1	\$1.13
32	VF14237	BOLT, M10 X 70	1	\$4.38
33	VF45120	CORD	1	\$5.63
34	VV30182	BUSHING, CORD	1	\$0.63
35	AS41902	PLUG PROTECTOR, FEMALE	1	\$5.63
36	VV13617	NUT, M3	1	\$0.88
37	VF51141	RECEPTICAL	1	\$5.88
38	GT13065	SCREW, ST, M3 X 12	1	\$1.38
39	VF46716	BUSHING	1	\$0.88
40	VF46718	SPRING	1	\$1.88
41	VF46715	BARB	1	\$2.38
42	VF46717	WASHER	1	\$0.88
43	VV30142	RUN CAPACITOR, 40uF/375V	1	\$23.75
44	GT13027	SCREW, PH, M5 X 45	1	\$1.13
45	VF80365	CLAMP	1	\$3.88
46	VF999805	START CAPACITOR, 380-400uF / 150V	1	\$26.10
47	VF80366	REGULATION SPEED ELEMENT	1	\$12.13
48	VV13616	SCREW, PH, M3 X 16	1	\$0.88
49	VF99010D	CIRCUIT BREAKER, BRUSH	1	\$9.88
50	VF99008B	STRAIN RELIEF	1	\$4.38
51	VV67105	CONNECTOR, CORD	1	\$5.50
52	VF80326C	POWER CORD	1	\$82.50



WHEELS & BRUSH DRIVE - FANG 18C

DIA NO.	PART NUMBER	DESCRIPTION	NO. REQ'D	LIST \$ (ea)
1	VF80111	CLEAR DOME, FILTER	1	\$11.38
2	VF82139	"O" RING	1	\$2.88
3	VF80113	FILTER	1	\$4.88
4	VV20501	SCREW, PH, SST, M5 X 14	2	\$0.63
5	VV13654	WASHER, SST, M5	2	\$0.88
6	VF80112	MOUNTING BASE, FILTER	1	\$19.00
7	VF82090	CLAMP, HOSE	5	\$2.38
8	VF80349	HOSE, INLET, FILTER	1	\$6.50
9	VF13521	NUT, M6	12	\$0.88
10	VF13533	WASHER, M6	12	\$0.88
11	VV13607	WASHER, LOCK, M6	12	\$0.88
12	VF13495	SCREW, M6 X 16	12	\$0.63
13	VF80123	AXLE, WHEEL	2	\$11.38
14	VF80117	WASHER, WHEEL	4	\$1.00
15	VF80115	WHEEL, 6"	2	\$24.38
16	VF14257	NUT, NYLON INSERT, M16	2	\$1.63
17	VF80110	CHASSIS	1	\$109.13
18	VF80109	CONNECTOR	1	\$9.63
19	VV13604	SCREW, HEX, M8 X 20	4	\$1.38
20	VF14313	WASHER, INTERNAL TOOTH, M8	2	\$1.00
21	VF13514A	WASHER, PLAIN, M8	5	\$0.88
22	VF80130	WASHER, M8	4	\$0.88
23	VF80132	BUSHING	4	\$4.00
24	VF80216A	SOLUTION VALVE, 110V	1	\$27.50
25	VF80238	HOSE, OUTLET, VALVE	1	\$4.00
26	VF80119	MOUNTING FRAME, VALVE	1	\$7.50
27	VA13483	WASHER, PLAIN, M4	2	\$0.63
28	VV20291	WASHER, LOCK, M4	2	\$0.88
29	VA13473	SCREW, PH, M4 X 16	2	\$0.88
30	VF80114	OUTLET FILTER	1	\$2.13
31	GT13022	NUT, NYLON INSERT, M5	2	\$0.63
32	VF80120	MOUNTING PLATE, FILTER	1	\$7.50
33	VV60220S1	HEX SOCKET SCREW, M6 X 15	1	\$1.38
34	VF80207	WASHER, PLAIN, BRASS	1	\$2.25
35	VF80240	KEY	1	\$2.25
36	VF80220	DRIVING PULLEY	1	\$11.38
37	VF13503	NUT, NYLON INSERT, M8	5	\$0.63
38	YCQ35000A	MOTOR, 110V	1	\$227.50
39	VF80241	GASKET	1	\$2.25
40	VF14314	WASHER, EXTERNAL TOOTH, M8	2	\$1.00
41	GT13018	BOLT, M8 X 30	2	\$0.63
42	VF13513	NUT, M8	3	\$0.63
43	VF80206	SUPPORTING SHELF	1	\$47.75
44	VF80237	SPRING	1	\$2.13
45	VF14114	BOLT, M8 X 55	1	\$1.75
46	VF80222	THIN NUT	1	\$2.13
47	VF14315	WASHER, PLAIN, M24	1	\$1.88
48	VF81403	BARB, HOSE, 90°DEG	1	\$12.38

DIA NO.	PART NUMBER	DESCRIPTION	NO. REQ'D	LIST \$ (ea)
49	VF14255	SET SCREW, M12 X 65	1	\$2.75
50	VF14057A	NUT, M12	1	\$0.88
51	VF80201	FRAME	1	\$121.38
52	VF80225	BOLT	1	\$1.13
53	VF14101	NUT, BUTTERFLY, M6	1	\$2.25
54	VF80203	SLIDING PLATE	1	\$4.88
55	VF80213	NUT, BRASS	1	\$2.38
56	VF13519	WASHER, LOCK, M8	2	\$0.63
57	VF80235	SPACER	1	\$1.88
58	VF80232	SPRING	1	\$1.88
59	VF80223	SPACER	1	\$4.00
60	VF999827	BEARING, 6205	1	\$21.38
61	VF80221	SPACER, LARGE	1	\$2.75
62	VF80229	NUT	1	\$1.38
63	VF80227	CLIP	1	\$2.13
64	VF80228	CLIP, BRUSH	1	\$2.13
65	VF80205	DRIVEN PULLEY	1	\$47.25
66	VF14223	SCREW, FH, M6 X 25	1	\$0.63
67	VF14254	SET SCREW, HEX, SOCKET, M5 X 8	1	\$0.88
68	VF80219	SHAFT, DRIVEN PULLEY	1	\$17.75
69	VF80233	GASKET	1	\$8.38
70	GT13060	SCREW, HEX, SOCKET, M6 X 30	1	\$2.50
71	VF80242	BELT	1	\$35.38
72	VF99003A	BIG MOUTH	1	\$8.75
73	VF14400	SCREW, SST, M4.2 X 13	3	\$1.13
74	VF13502	NUT, NYLON INSERT, M6	3	\$0.63
75	VF80212	PAD HOLDER	1	\$61.25
76	VF80212A	PAD HOLDER ASSY	1	\$70.25
77	VF80218	BLOCK	3	\$4.13
78	VF14225A	SCREW, FH, M6 X 40	3	\$0.88
79	VF13535	WASHER, PLAIN, M8 X M20 X 2	4	\$1.38
80	VF999821	BEARING, 6002LU	2	\$22.25
81	VF80209	SMALL SPACER	1	\$2.25
82	VF80215	TENSION WHEEL	1	\$9.75
83	VF80214	BUSHING BEARING	1	\$3.88
84	VF14312	WAVE WASHER, M8	2	\$0.88
85	VF80208	ROD, TENSION WHEEL	1	\$9.63
86	GT13066	SCREW, HEX, SOCKET, M8 X 55	1	\$1.00
87	VV13657	BOLT, M8 X 25	1	\$0.63
88	GT13067	SCREW, HEX, SOCKET, M8 X 25	2	\$1.50



SQUEEGEE ASSEMBLY - FANG 18C

DIA NO.	PART NUMBER	DESCRIPTION	NO. REQ'D	LIST \$ (ea)
1	VF81222	SHOULDER SCREW, HEX SOCKET, 5/16 X 1.25"	3	\$9.63
2	VF81219	WHEEL, 2"	3	\$7.13
3	VF13535	WASHER, PLAIN, M8 X M20 X 2	3	\$1.38
4	VV20203	NUT, NYLON INSERT, 5/16"	3	\$1.13
5	VF82121	KNOB, M6	6	\$4.13
6	VF82118	BACK UP STRIP, SQUEEGEE, FRONT	1	\$10.88
7	VF82062	BLADE, SQUEEGEE, FRONT (PU)	1	\$33.75
	VF82117	BLADE, SQUEEGEE, FRONT (NEOPRENE)	1	\$25.88
8	VF14236	BOLT, M8 X 40	4	\$1.63
9	VF82116	HOUSING, SQUEEGEE	1	\$122.13
10	VF82013	WHEEL, 3"	2	\$11.38
11	VF82055	BUSHING	2	\$3.13
12	VF13514A	WASHER, PLAIN, M8 X M16.5 X 1	2	\$0.88
13	VF82063	BLADE, SQUEEGEE, REAR (PU)	1	\$46.63
	VF82119	BLADE, SQUEEGEE, REAR (NEOPRENE)	1	\$23.38
14	VF82120	BACK UP STRIP, SQUEEGEE, REAR	1	\$10.88
15	VF82908A	SQUEEGEE ASSY	1	\$217.12
16	GT13022	NUT, NYLON INSERT, M5	1	\$0.63
17	VF81218	LATCH, HOOD	1	\$8.88
18	VF81208	RIVET, M4 X 5	2	\$0.88
19	VF81209	HOOK, REAR SQUEEGEE, BACKUP ADJUSTMENT	1	\$3.38
20	VF14305	SCREW, M5 X 60	1	\$1.13
21	VF80422	BRACKET, SQUEEGEE, MOUNT	1	\$32.25
22	VF81210	KNOB, M8	2	\$8.75
23	VF80425	HOSE	1	\$14.13
24	VF83150	HOLDER, "U" HOSE	1	\$7.13
25	VF14057A	NUT, M12	1	\$0.88
26	VF13541	WASHER, LOCK, M12	1	\$0.88
27	VV20434	WASHER, PLAIN, M13 X M30 X 3	2	\$0.63
28	VF80109	CONNECTOR	1	\$9.63
29	VF80427	BUSHING	1	\$9.13
30	VF14094	PIN, M12 X 70	4	\$2.75
31	VF80426	"U" SHAPE FRAME	1	\$8.88
32	VF14095	PIN, M4	1	\$1.00
33	GT13085	BOLT, M12 X 40	1	\$2.25