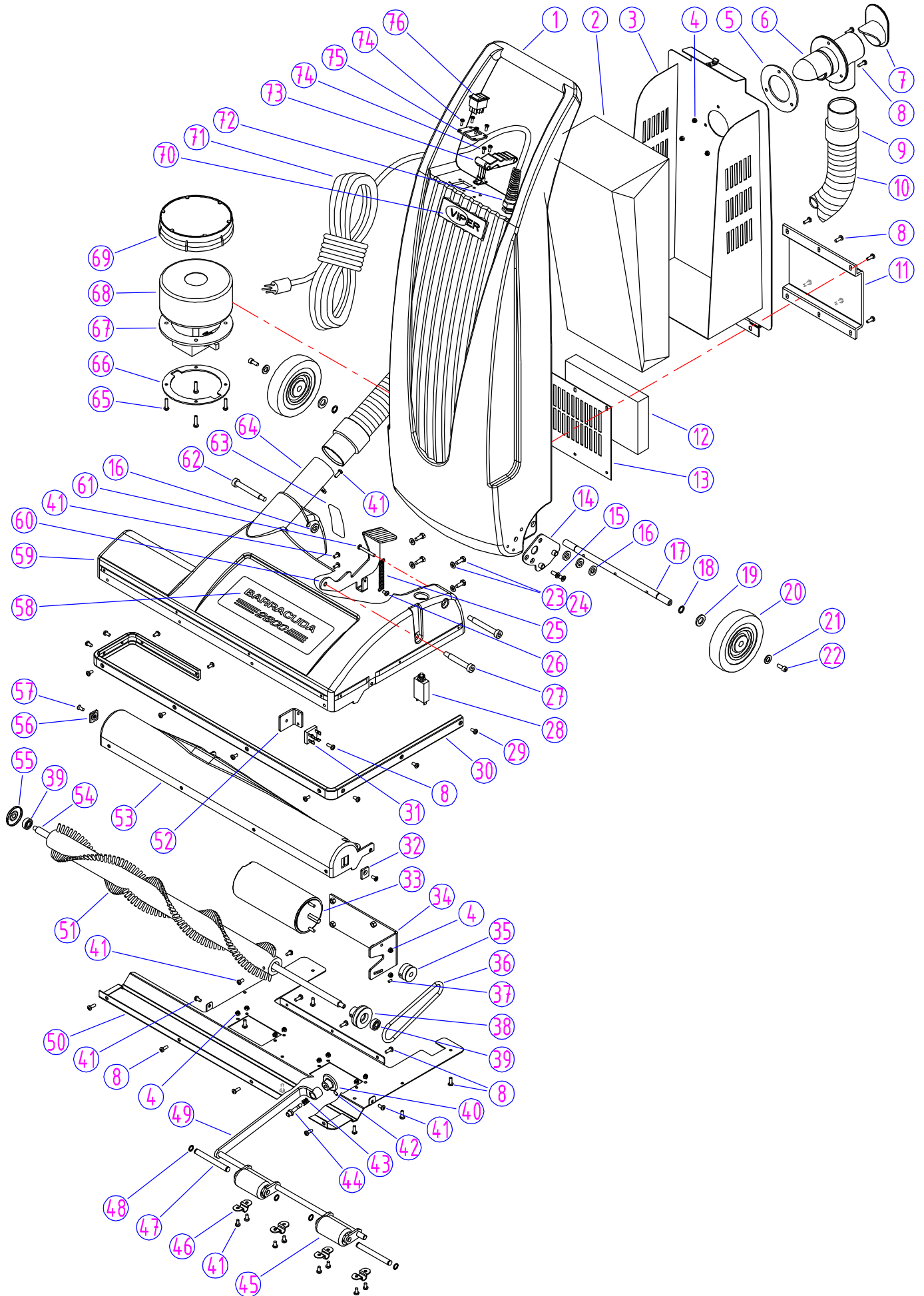


# PARTS LIST



## PARTS LIST - CUDA26

DIA NO	PART NUMBER	DESCRIPTION	NO REQ'D	LIST \$ (ea)
1	VA51009	HANDLE HOUSING	1	\$187.00
2	VA51025	BAG, PAPER, DUST (PKG OF 10)	1	\$23.80
3	VA51007	REAR COVER AND BAG HOLDER	1	\$65.50
4	GT13022	NUT, M5, NYLON INSERT	13	\$0.63
5	VA51034	GASKET, ADAPTER	1	\$2.25
6	VA51008	ELBOW ADAPTER, HOSE	1	\$7.75
7	VA51022	PLUG AND CORD HOOK	1	\$5.50
8	VV20501	SCREW, M5 x 14	23	\$0.63
9	VA51023-1	HOSE END	2	\$6.75
10	VA51023-2	HOSE, 2"	1	\$11.38
11	VA51029	COVER, EXHAUST FILTER	1	\$7.50
12	VA51030	FILTER, EXHAUST	1	\$7.25
13	VA51028	PLATE, EXHAUST FILTER	1	\$9.63
14	VA51024	LATCH PLATE	1	\$9.63
15	VV13605	SCREW, FLAT, M6 X 16	2	\$0.75
16	VA51041	NYLON WASHER	4	\$1.38
17	VA51027	AXLE	1	\$10.25
18	VA51059	ECCENTRIC BUSHING	2	\$4.88
19	VV20509	SCREW, M5 X 10	17	\$0.63
20	VF13520	RETAINING RING, EXTERNAL, M12	2	\$0.63
21	VF50119	WAVE WASHER, M12	2	\$0.63
22	VF13602	WASHER, PLAIN, M12 X 18 X 1	2	\$0.63
23	VF48202	WHEEL, 5"	2	\$20.00
24	VF13666	WASHER, PLAIN, M12	2	\$0.63
25	VF44012	SCREW, M5 x 12.7	2	\$0.75
26	VF13495	SCREW, HEX, M6 x 16	4	\$0.63
27	VF13614	WASHER, PLAIN, M6	4	\$0.88
28	VA51038	SPRING, LATCH	1	\$3.00
29	VF14214	SCREW, M5 x 8	1	\$0.63
30	VA51039	SHOULDER BOLT, LATCH	1	\$5.50
31	VV67504	CIRCUIT BREAKER, 2AMP	1	\$6.00
32	GT13057	SCREW, SELF-TAPPING, ST, M5 x 10	14	\$1.63
33	VA51002	BUMPER, 26"	1	\$8.38
34	VF99926-1	RECTIFIER	1	\$23.12
35	VA51055	BLOCK, BRUSH SHAFT, LEFT	1	\$2.13
36	ZD57000	MOTOR, BRUSH	1	\$132.50
37	VA51011	MOUNT PLATE, MOTOR	1	\$9.80
38	VA51019	PULLEY, MOTOR	1	\$5.25
39	VA51021	DRIVE BELT	1	\$8.38
40	VF14254	SCREW, HOLDING, M5 x 8	1	\$0.88
41	VA51018	PULLEY, BRUSH	1	\$5.25
42	VA51015	BEARING	2	\$3.88
43	VA51035	KNOB, ROLLER ADJUST	1	\$4.00
44	VF13508	SCREW, HOLDING, M4 x 8	1	\$0.88
45	VA51037	SPRING, ROLLER ADJUST	1	\$1.00
46	VA51036	LOCK PIN, ROLLER ADJUST	1	\$2.00
47	VA51042	ROLLER, 1.5"	2	\$5.25
48	VA51013	CLAMP, ROLLER BRACKET	4	\$2.25
49	VA51043	AXLE, ROLLER	2	\$3.13
50	VA14001	RETAINING RING, EXTERNAL, M10	4	\$2.00
51	VA51014	ROLLER BRACKET	1	\$11.13
52	VA51004	BOTTOM SHOE, PLATE, 26"	1	\$31.38
53	VA51005	BRUSH, 26"	1	\$22.13

DIA NO	PART NUMBER	DESCRIPTION	NO REQ'D	LIST \$ (ea)
54	VA51047	BRACKET, RECTIFIER	1	\$3.38
55	VA51003	BRUSH HOUSING, 26"	1	\$24.75
56	VA51006	SHAFT, BRUSH, 26"	1	\$10.00
57	VA51017	STRING GUARD, BRUSH	1	\$2.25
58	VA51016	BLOCK, BRUSH SHAFT, RIGHT	1	\$2.13
59	VV20502	SCREW, FLAT, M5 X 16	2	\$0.63
60	VA51048	LABEL, "BARRACUDA"	1	\$5.38
61	VA51001	BASE HOUSING, 26"	1	\$67.38
62	VA51010	LATCH, HANDLE	1	\$12.13
63	VA13476	SCREW, M5 x 40	1	\$0.63
64	VA51040	SHOULDER BOLT, PIVOT	2	\$5.63
65	VA51052	LABEL	1	\$2.38
66	VA51012	TUBE, BASE HOUSING	1	\$11.38
67	VV13635	SCREW, M5 x 20	4	\$0.88
68	VA51032	RETAINER RING, VACUUM MOTOR	1	\$2.25
69	VA51033	GASKET, VACUUM MOTOR	1	\$5.88
70	VA41036	VACUUM MOTOR, 115V	1	\$192.50
71	VA51049	FILTER, VACUUM MOTOR	1	\$5.38
72	VF82082	LOGO, "VIPER"	1	\$12.13
73	VA65001	POWER CORD, 14/3C, SJTW, 50FT	1	\$57.50
74	VA51044	STRAIN RELIEF, CORD	1	\$11.38
75	VF83109	CATCH	1	\$9.63
76	VV13650	SCREW, M4 x 10	6	\$0.63
77	VA51026	PLATE, SWITCH	1	\$7.88
78	VA91346	SWITCH, ROCKER	1	\$8.75